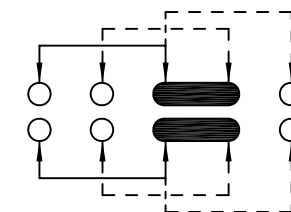
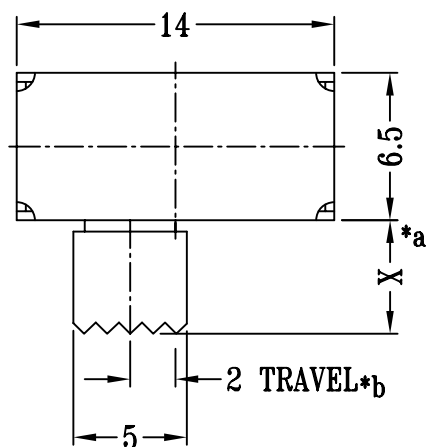
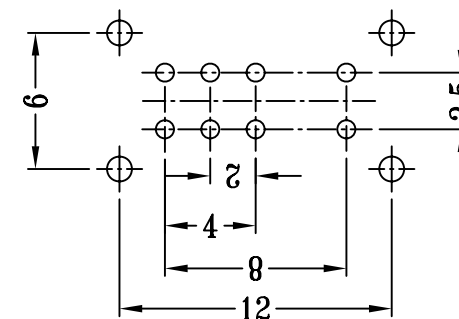
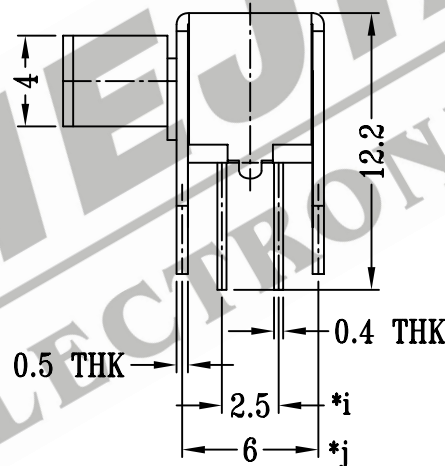
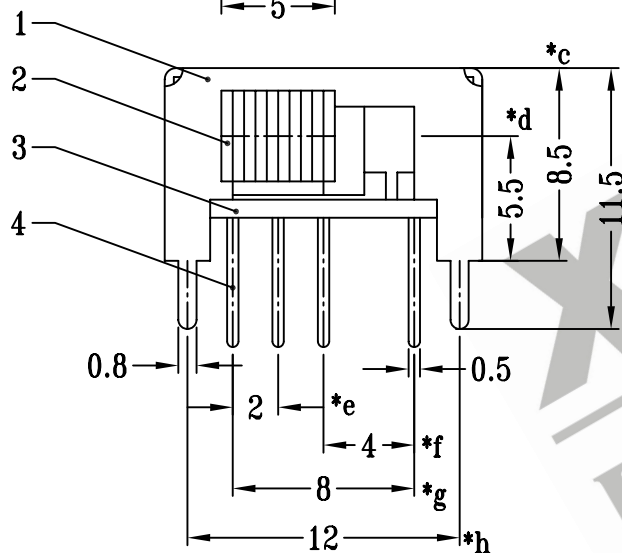


CAD FILE:



**SCHEMATIC (SHORTING)**



**P.C.B LAYOUT**

注:带"\*"表示关键尺寸(10个)

				TOLERANCE UNLESS SPECIFIED		SHENZHEN XIEJIA ELECTRONICS CO.,LTD.					
				WITHIN: 1.5±0.1mm		ISSUE	DATE	DESCRIPTIONS		APPD.	
				OVER: 1.5±0.2mm		TITLE: HORIZONTAL SLIDE SWITCH					
						UNIT: mm		DRWG NO.: XJ-DR-SK23D19-00			
8						MODEL: SK-23D19		SCALE: 3:1	DWN.	ZHOUYU	2007-8-21
7	STEEL BALL	STEEL	1	NATURAL				CHK'D	FANGYING	2007-8-21	
6	SPRING	STEEL WIRE	1	TEMPER				APPD.	KANGXINAN	2007-8-21	
5	CONTACT CLIP	PBS	2	Ag CLAD							
4	TERMINAL	BRASS STRIP	8	Ag PLATED OVER Ni PLATED							
3	BASE	PHENOLIC RESIN	1	NATURAL							
2	KNOB	POM	1	BLACK							
1	FRAME	STEEL STRIP	1	Ni PLATED							
NO.	PART NAME	MATERIAL	Q'TY	FINISHING	ALL MATERIALS MUST BE COMPLIANT TO ROHS						